

SOLAR RIG - GEN STAR™

Model: GS2988-30

with patented camera mount system



CUSTOMIZED SOLAR TRAILER:

Engineered & Assembled in the USA for:

- 24volts DC,-40c to +70c Operation
- 120vAC 1700w 45A emergency charging with 120w power to equipment for continuous run time.

5 days uptime with 3.33 hours of sun/day

- 2303 watts max load @24hr
- 5 days runtime @ 30f @ 80% DOD
 - 93.05w continuous load per hour
 - 95.95w max sustained load per hour

2.5 days uptime with 3.33 hours of sun/day

- 2988 watts max load @24hr
- 2.5 days runtime @ 30f @ 80% DOD
 - 120.5w continuous load per hour
 - 121.5w max sustained load per hour

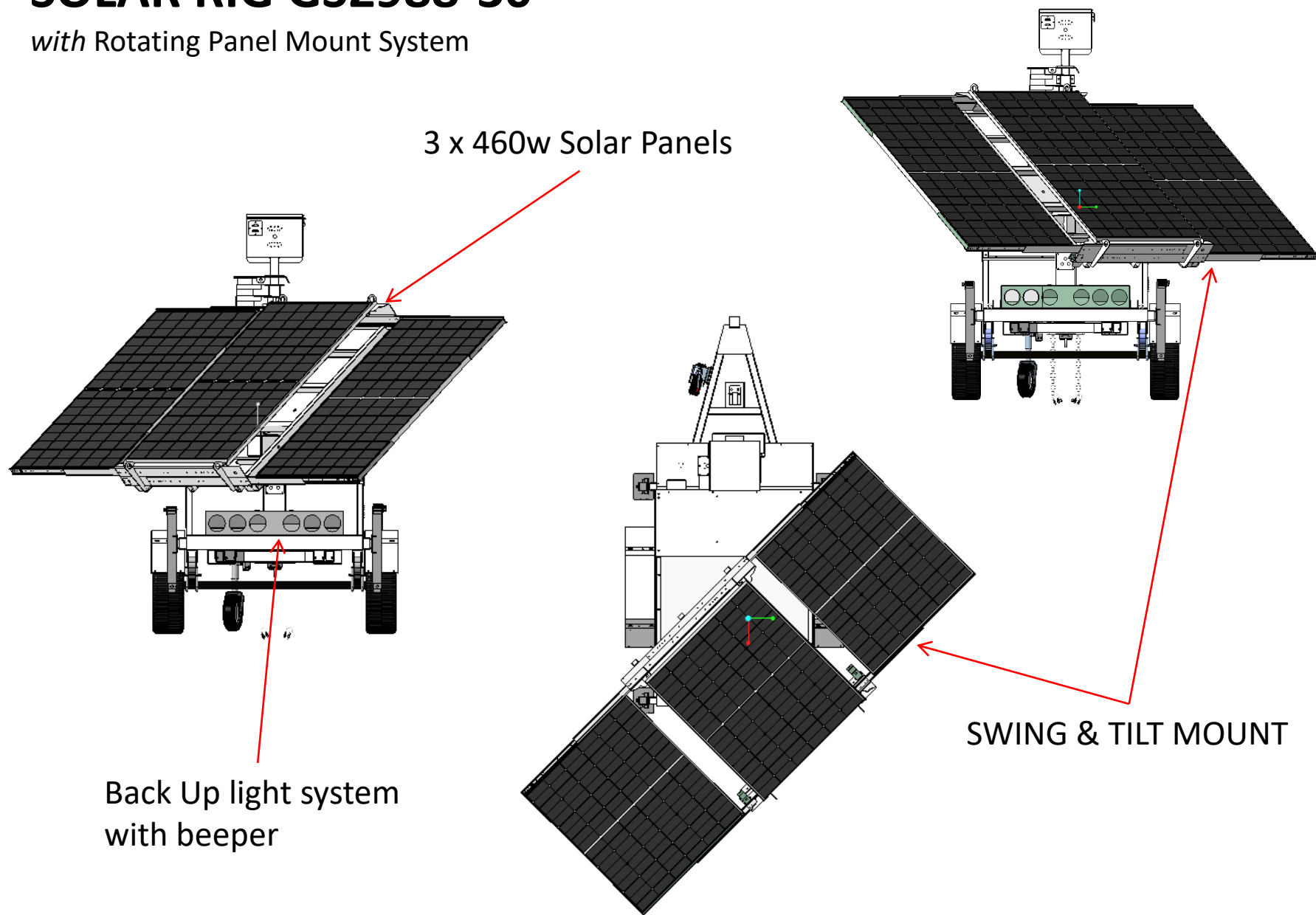
Customized and 100% NDAA compliant

- Morning Star GEN STAR Charge Control
- SunXtender Batteries (*made in the USA*)
- US Patented Camera Mount System



SOLAR RIG GS2988-30

with Rotating Panel Mount System



3 x 460w Solar Panels

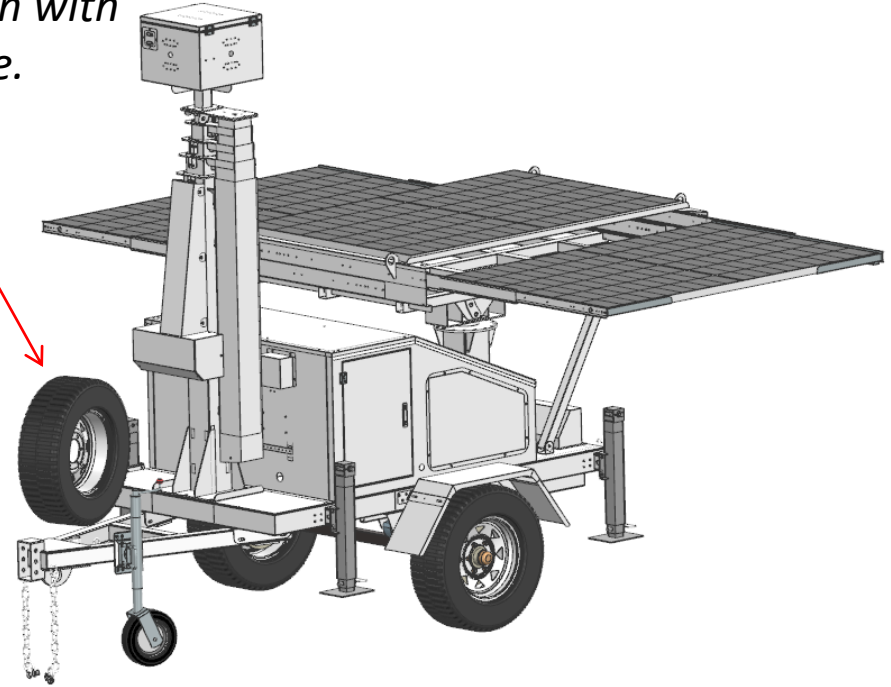
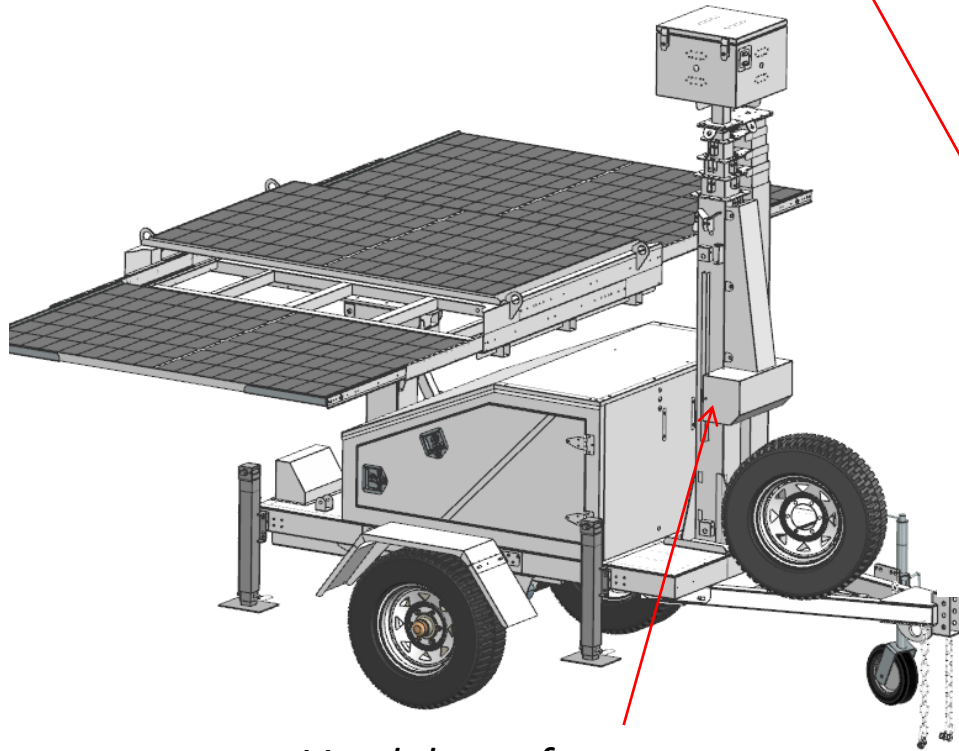
SWING & TILT MOUNT

Back Up light system
with beeper

SOLAR RIG GS2988-30

with Rotating Panel Mount System

Illustrations shown with optional spare tire.



*Vandal proof
Mast motor and cable protection*

GS2988-30

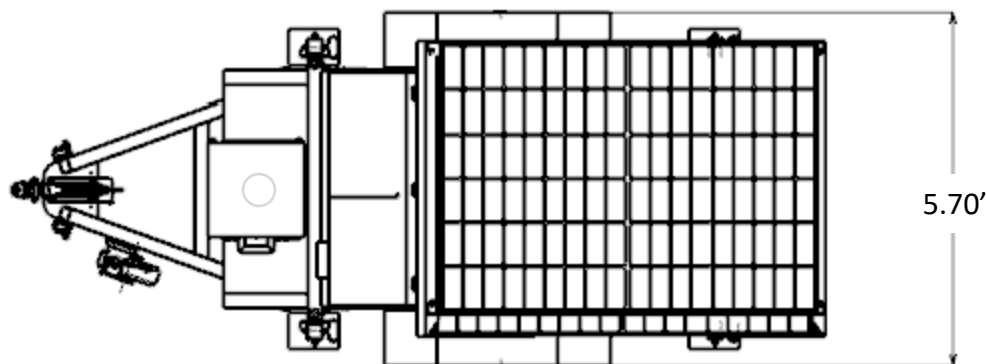
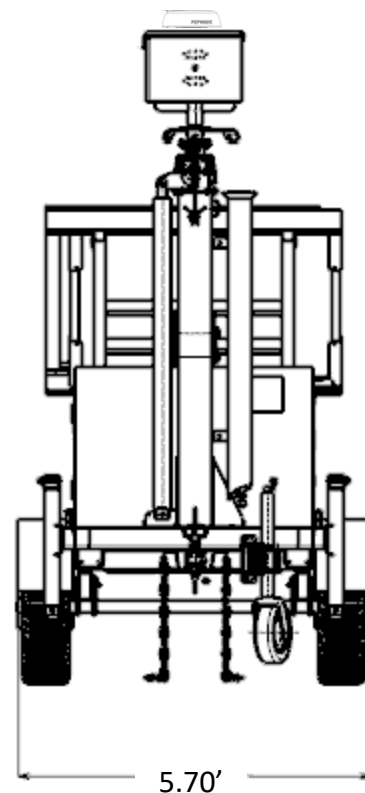
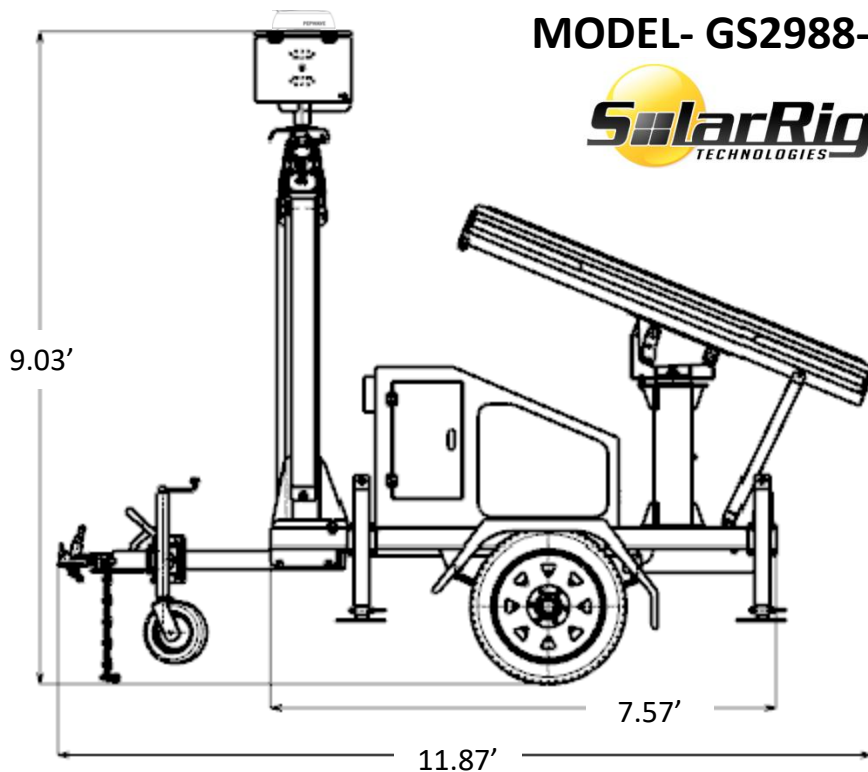
FEATURES:

- DOT READY
- 2" ball hitch
- Electric Cable mast 24'
- Safety Chains x 2
- SAE 7-PIN Trailer Harness
- Maxxis 215/70R15 Tires
- Electric Braking system
- Emergency brake
- Spring shock support
- 4 leveling outriggers
- 3 Wheel positioning
- Rotational Solar panels
- 24' tower camera height
- **Patented** Camera box
- Strobe Light system
- Remote on/off web ctrl
- Shock mount plates
- Armored cables
- AC Charging Inlet
- Emergency AC Charger
- Remote charge control
- Back up beeper with lights

Optional Add-ons:

- Hydraulic Mast 24'
- Wheel Chocks
- Peplink 4G/5G Cellular Modem
- Security Camera/s
- PA system
- P2P Wi-Fi Bridge
- 90w PoE L2 step up Switch
- Flood and/or IR Lights

MODEL- GS2988-30



SOLAR RIG WARRANTY CERTIFICATE *†

- 10 year All Structural Steel, Frame, and Locks
- 2 year Tower Motor
- 5 year Charge Controller
- 2 year Batteries **Pro rated** (*Made in USA, life expectancy: 5-10 years*)
- 1 year Brakes, Tires, Lights
- Solar Power production is warranted under approved load conditions
- Manufactures Warranty on integrated devices

* *No Warranty on damage caused by towing accident, vandalism or an act of nature (Force majeure)*

† *No Warranty on power production for non-approved loads, SRT shall void any warranty, and shall not be libel for performance of the product should any additional devices be added onto trailer after the delivery.*

Last updated 06/28/24



MODEL- SR GS2988-30
M2M SOLAR CERTIFIED WORK SHEET



Max watts/hr daytime	Max watts/hr night	Avg. Watts @24hr	DEVICE	BRAND	MODEL
			MODEM 1		
			MODEM 2		
			CAMERA 1		
			CAMERA 2		
			CAMERA 3		
			CAMERA 4		
			STARLINK		
			Iridium Comm.		
			NETWORK SWITCH		
			WEB CONTROL		
			VMS SERVER		
			PA SPEAKER		
			WIFI AP		
			SENSOR 1		
			SENSOR 2		
			IR LIGHTS		
			FLOOD LIGHTS		

PER DAY MAX (**2303** watts max for 5 days uptime, and **2988** watts max for 2.5 days uptime with 3.33 hours of sun per day