

SOLAR RIG

Model: GS2500-20

with patented camera mount system



CUSTOMIZED SOLAR TRAILER:

Engineered & Assembled in the USA for:

- 24volts DC, -40f to +120f Operation
- 120vAC 1700w 35-50A emergency charging with 240w power to equipment for continuous run time.

Winter, 20f with 3 hours of sun per day

- 2000 watts load @24hr
- 3.2 days runtime @ 20f and 70% DOD
 - 80w load per hour (CC included)

Winter, 20f with 3 hours of sun per day

- 2500 watts load @24hr
- 2.5 days runtime @ 20f and 70% DOD
 - 100w load per hour (CC included)

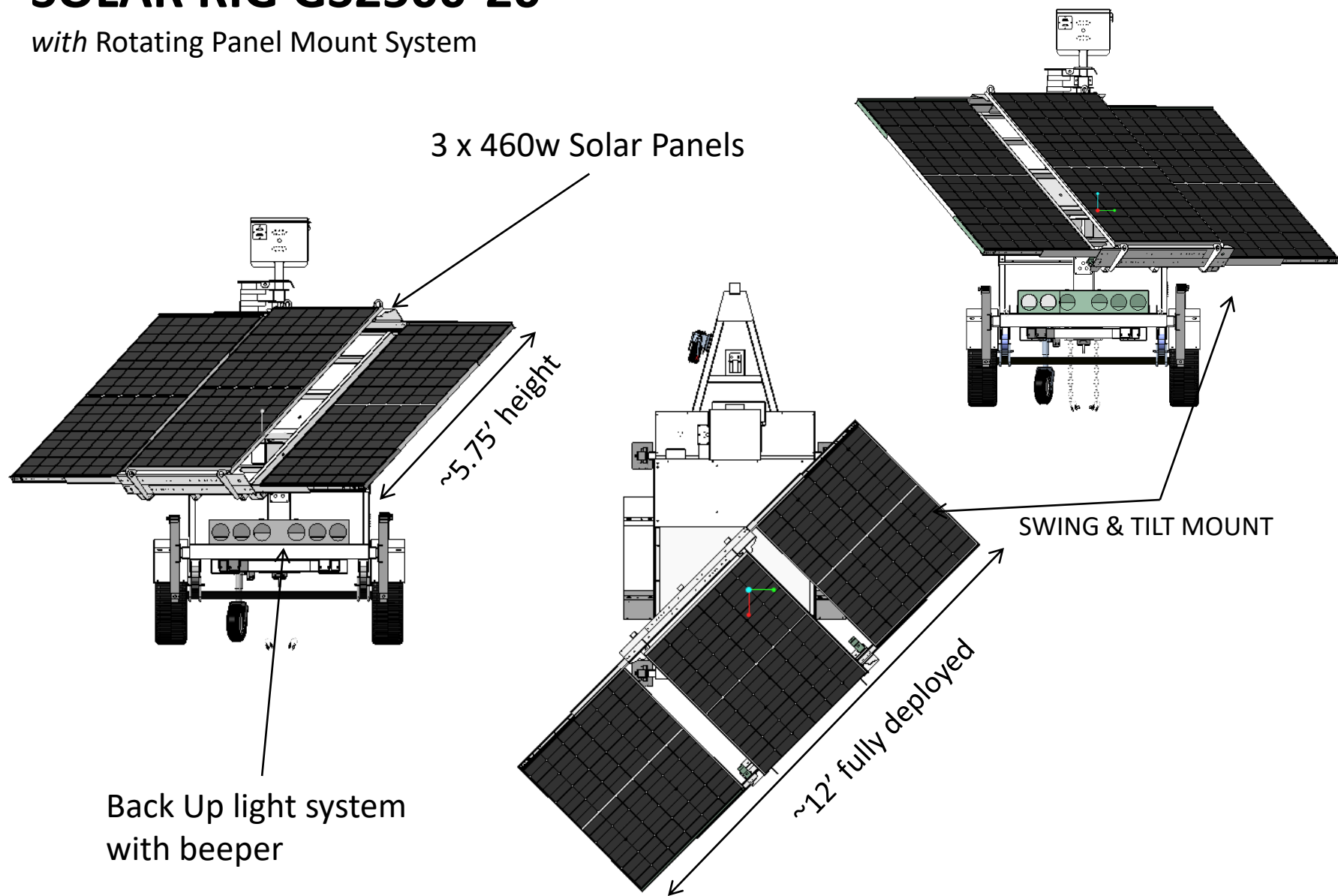
Customized and 100% NDAA compliant

- GEN STAR 60A MPPT Charge Control
- 8 4D AGM Batteries



SOLAR RIG GS2500-20

with Rotating Panel Mount System



SOLAR RIG GS2500-20 *uses 3 Solar Panels*



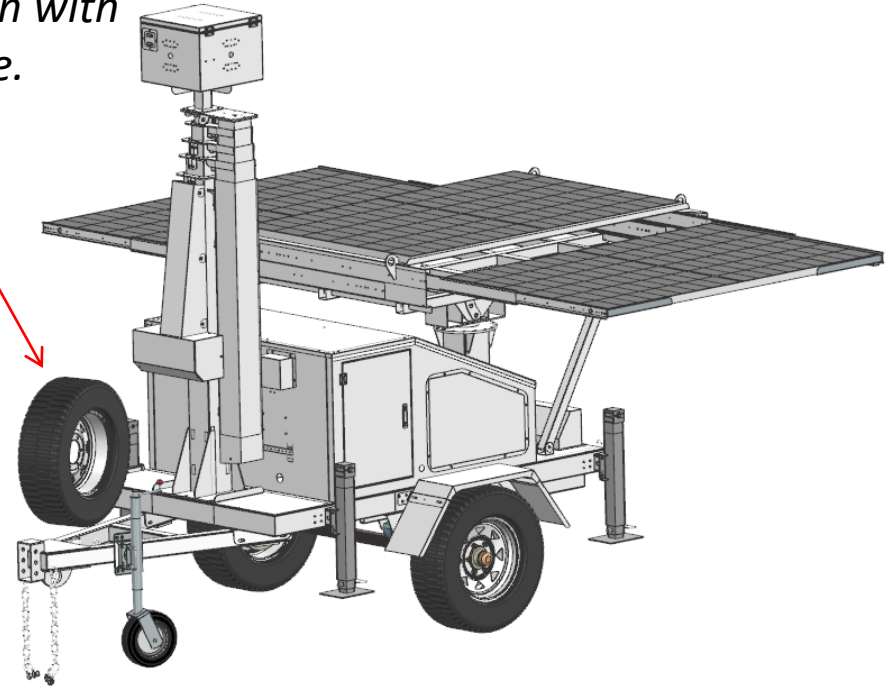
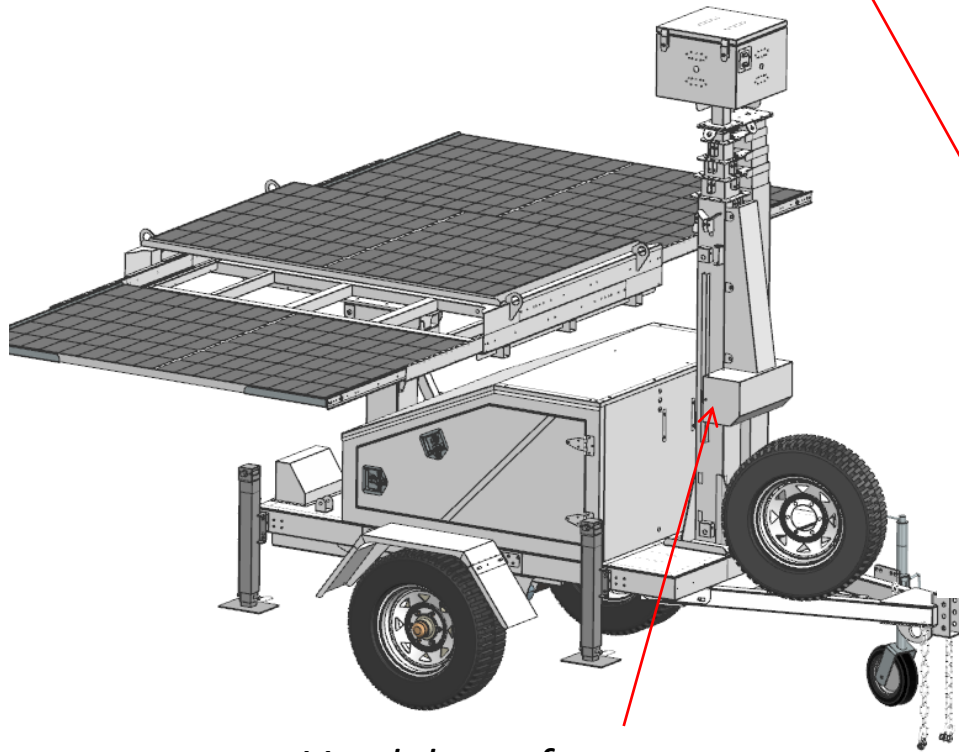
Actual unit Shown with,
IPRO WV-S65302-Z2 Cameras



SOLAR RIG GS2500-20

with Rotating Panel Mount System

Illustrations shown with optional spare tire.



*Vandal proof
Mast motor and cable protection*

GS2500-20

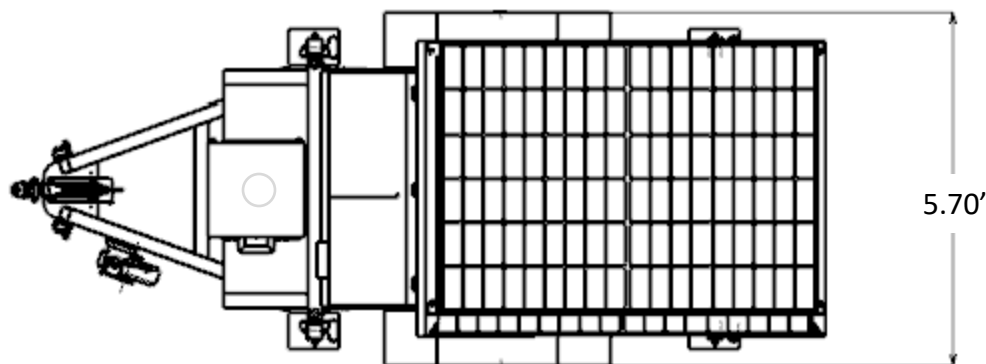
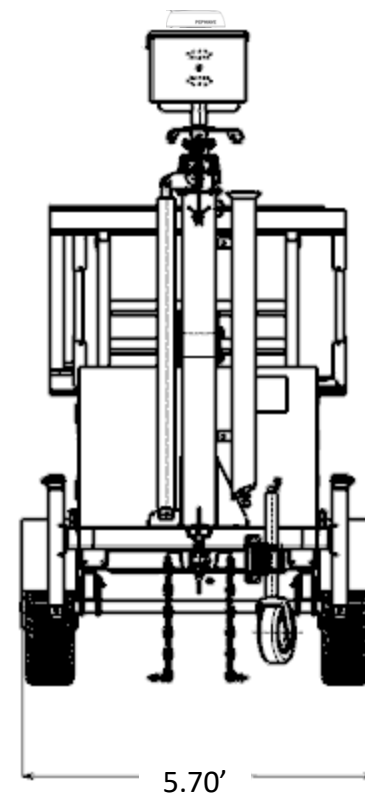
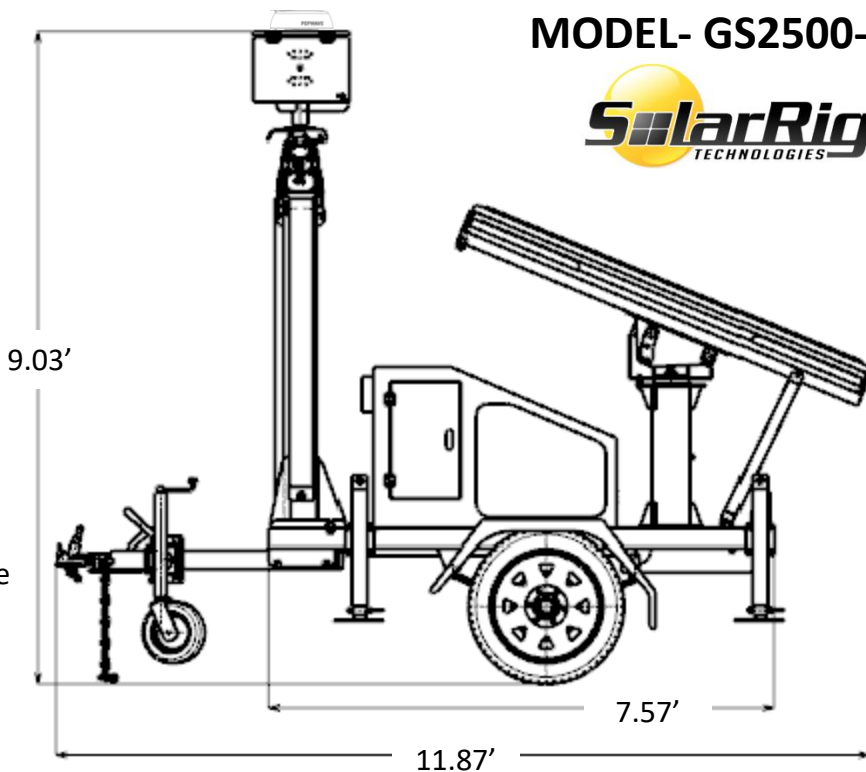
FEATURES:

- DOT READY
- 2" ball hitch
- Electric Cable mast 24'
- Safety Chains x 2
- SAE 7-PIN Trailer Harness
- Maxxis 215/70R15 Tires
- Electric Braking system
- Emergency brake
- Spring shock support
- 4 leveling outriggers
- 3 Wheel positioning
- Rotational Solar panels
- 24' tower camera height
- Easy Mount Mast Enclosure
- Strobe Light system
- Remote on/off web ctrl
- Shock mount plates
- Armored cables
- AC Charging Inlet
- Emergency AC Charger
- Remote charge control
- Back up beeper with lights

Optional Add-ons:

- Peplink 4G/5G Cellular Modem
- Security Camera/s
- PA Speaker
- P2P Wi-Fi Bridge
- PoE L2 or UM Switch
- VMS Server
- Flood and/or IR Lights

MODEL- GS2500-20



SOLAR RIG WARRANTY CERTIFICATE *†

Last updated 02/16/25

- 5 year Structural Steel, Frame
- 2 year Tower Motor and Cable
- 5 year Charge Controller
- 1.5 year Batteries **Pro rated**
- 1 year Brakes, Tires, Lights
- 1 year on all keyed locking devices.
- Solar Power production is warranted by *conformity of deployment*
- Manufactures Warranty on integrated devices
- Customer is responsible for any warranty associated with customer provided appliance.

* *No Warranty on damage caused by towing accident, vandalism or an act of nature (Force majeure)*

† *No Warranty on power production for non-approved loads or non conformity of deployment, SRT shall void any warranty, and shall not be libel for performance of the product should any additional devices be added onto trailer after delivery.*



MODEL- SR GS2500-20
M2M SOLAR CERTIFIED DEVICES



Max Watts per hour	Max watts/hr night	Avg. Watts @24hr	DEVICE	BRAND	MODEL
			MODEM 1	Pep Link	
			MODEM 2	Cradle Point	
avg. 5.5w	w/IR -		CAMERA 1	AXIS	P3737-PLE
avg. 8w	n/a	192	CAMERA 2	I PRO	WV-S65302-Z2
			CAMERA 3		
			CAMERA 4		
3w		72	Charge Control	MS GEN STAR	60A MPPT
			UM POE 4p-2sfp SWITCH	ORING	IDGPS-C1042GP+-BT
			L2 POE SWITCH		
			L2 POE 4p-2sfp SWITCH	AETEK	D60-044-90-DC
1.6	n/a	38.4	WEB RELAY CONTROL	SRT	
			VMS SERVER	SRT	INTEL ULTRA-125U
2.5w	n/a	60	PA SPEAKER	2N AXIS	C3003-E
avg. 4w	n/a	96	STROBES x 2	SRT	
			IR LIGHTS		
			FLOOD LIGHTS	SRT	

Wattage vs. days runtime in winter (2000 watts max for 3.2 days uptime in 20f, and 2500 watts max for 2.5 days uptime in 20f)