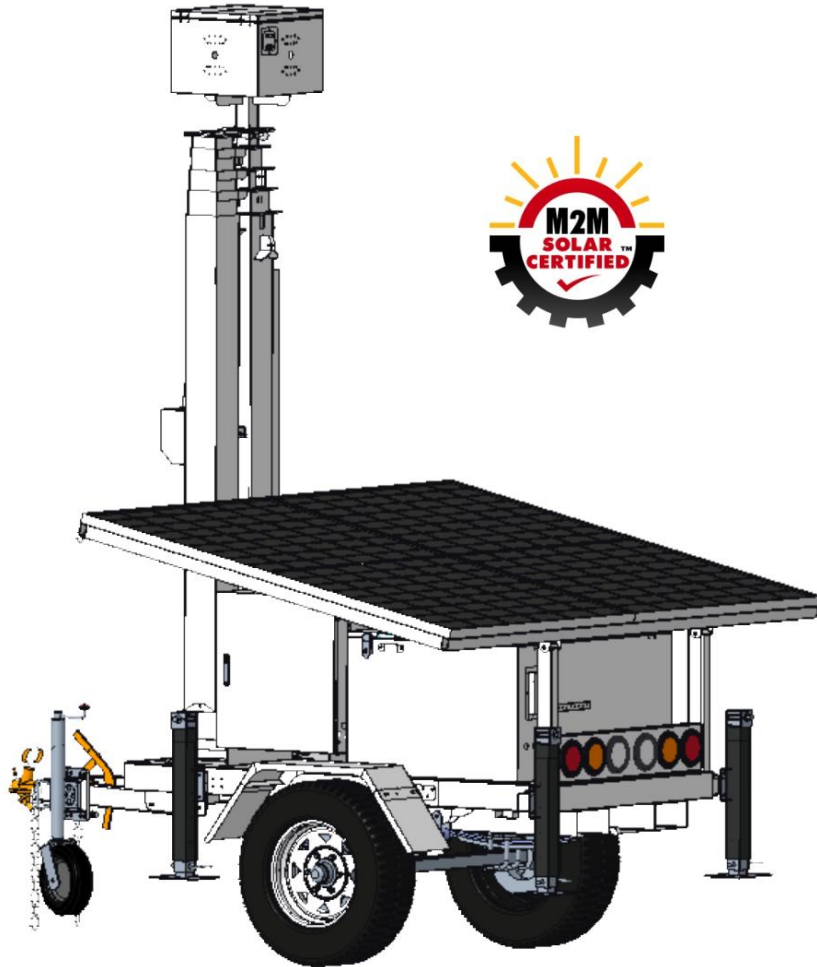


# SOLAR RIG SR1991NR-30

with patented camera mount system



## CUSTOMIZED SOLAR SECURITY RIG:

### Engineered in the USA for:

- 24volts DC Operation
- 120v AC 1200w emergency charging/power

### 5 days uptime with 3.33 hours of sun/day

- 1660 watts max load @24hr
- 5 days runtime @ 30f @ 80% DOD
  - 68w continuous load per hour
  - 69w max sustained load per hour

### 2.5 days uptime with 3.33 hours of sun/day

- 1991 watts max load @24hr
- 2.5 days runtime @ 30f @ 80% DOD
  - 81w continuous load per hour
  - 83w max sustained load per hour

## Customized and 100% NDAA compliant in the USA

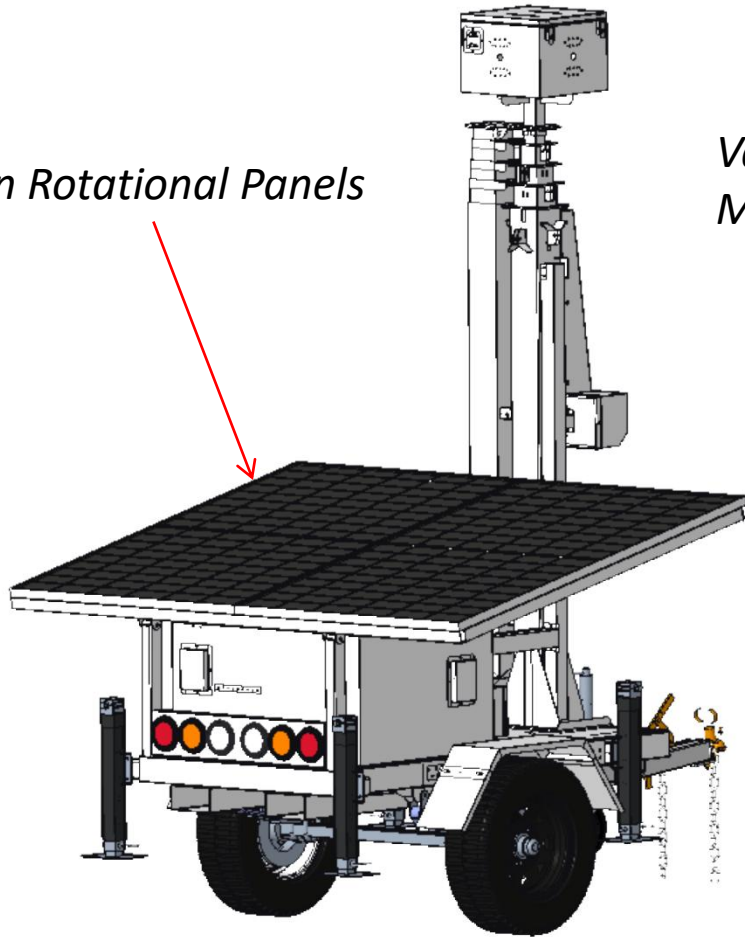
- Morning Star MPPT-40-150V
- SunXtender Batteries (*made in the USA*)
- US Patented Camera Mount System



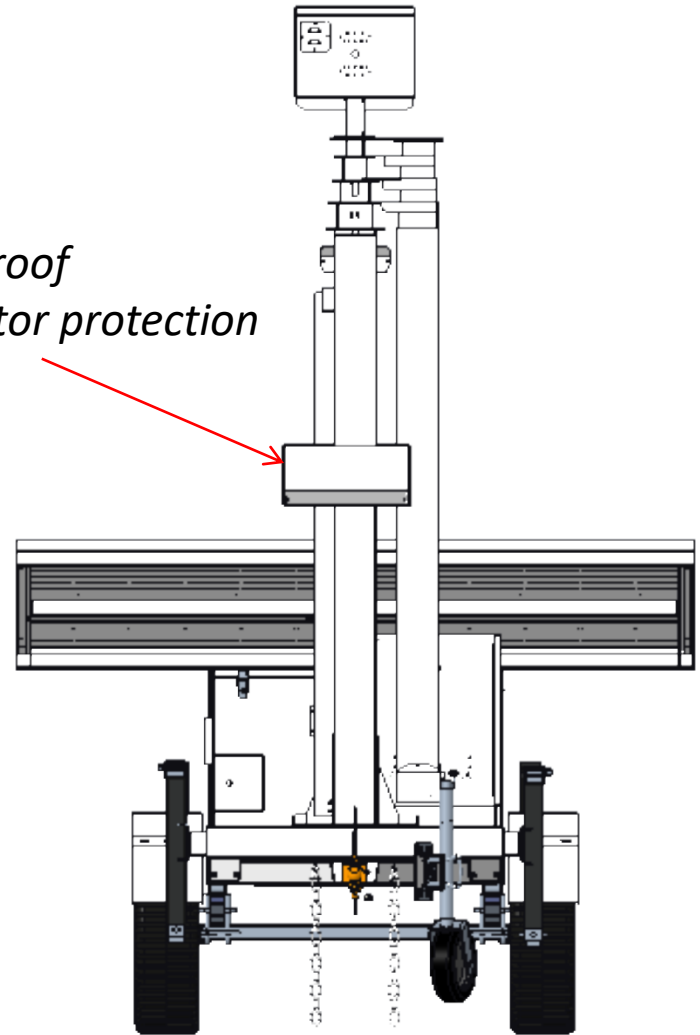
# SOLAR RIG SR1991-30

with Non-Rotational Panel Mount System

*Non Rotational Panels*



*Vandal proof  
Mast motor protection*



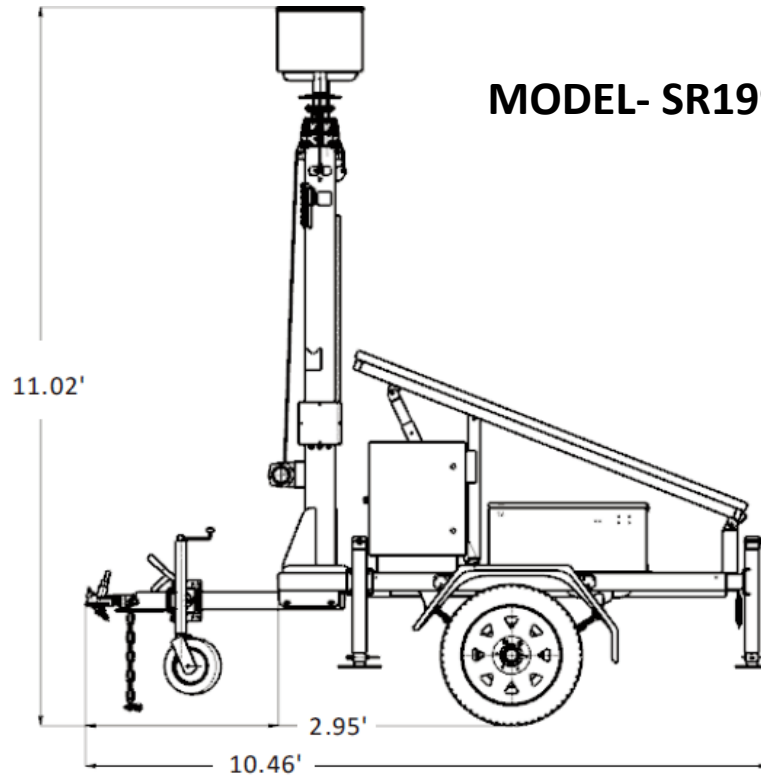
## SR1991NR-30

### FEATURES:

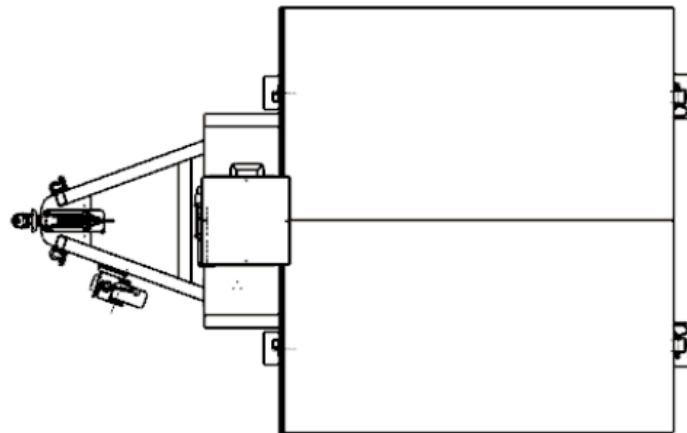
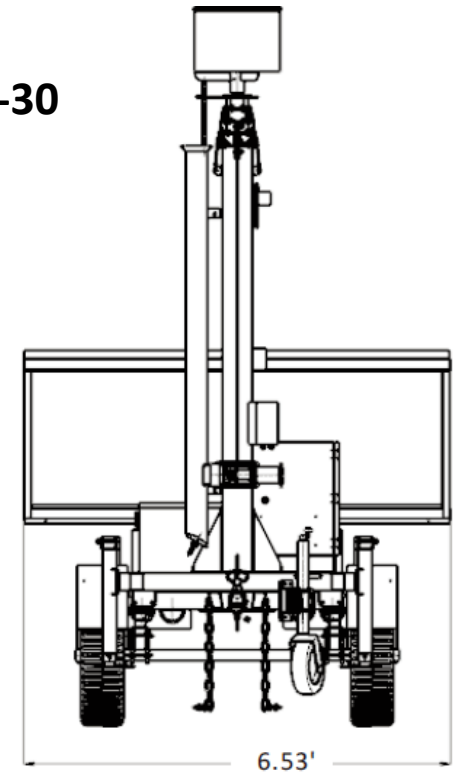
- DOT READY
- 2 PV Panels
- 2" ball hitch
- Hand Crank Mast 24'
- Safety Chains x 2
- SAE 7-PIN Trailer Harness
- Maxxis 215/70R15 Tires
- Inertia Braking system
- Emergency brake
- Spring shock support
- 4 leveling outriggers
- 3 Wheel positioning
- **Patented** Camera box
- Strobe Light system
- Shock mount plates
- Armored cables
- AC Charging Inlet

### Optional Add-ons:

- Hydraulic *or* Electric Tower 24'-30'
- 4G/5G Cellular Modem
- Custom Antenna
- Security Camera/s
- Wi-Fi P2P System
- OEM uplink Fiber & Ethernet
- 90w PoE L2 step up Switch



MODEL- SR1991NR-30



# SOLAR RIG WARRANTY CERTIFICATE \*†

- 10 year All Structural Steel, Frame, and Locks
- 2 year Tower Motor
- 5 year Charge Controller
- 2 year Batteries *Pro rated* (Made in USA, life expectancy: 5-10 years)
- 1 year Brakes, Tires, Lights
- Solar Power production is warranted under approved load conditions
- Manufactures Warranty on integrated devices

\* No Warranty on damage caused by towing accident, vandalism or an act of nature (Force majeure)

† No Warranty on power production for non-approved loads, SRT shall void any warranty, and shall not be libel for performance of the product should any additional devices be added onto trailer after the delivery.

Last updated 06/28/24



MODEL- SR2470NR-30  
**M2M SOLAR CERTIFIED WORK SHEET**



Max watts/hr daytime	Max watts/hr night	Avg. Watts @24hr	DEVICE	BRAND	MODEL
			MODEM 1		
			MODEM 2		
			CAMERA 1		
			CAMERA 2		
			CAMERA 3		
			CAMERA 4		
			STARLINK		
			Iridium Comm.		
			NETWORK SWITCH		
			WEB CONTROL		
			VMS SERVER		
			PA SPEAKER		
			WIFI AP		
			SENSOR 1		
			SENSOR 2		
			IR LIGHTS		
			FLOOD LIGHTS		

**PER DAY MAX** ( **1660** watts max for 5 days uptime, and **1991** watts max for 2.5 days uptime with 3.33 hours of sun per day